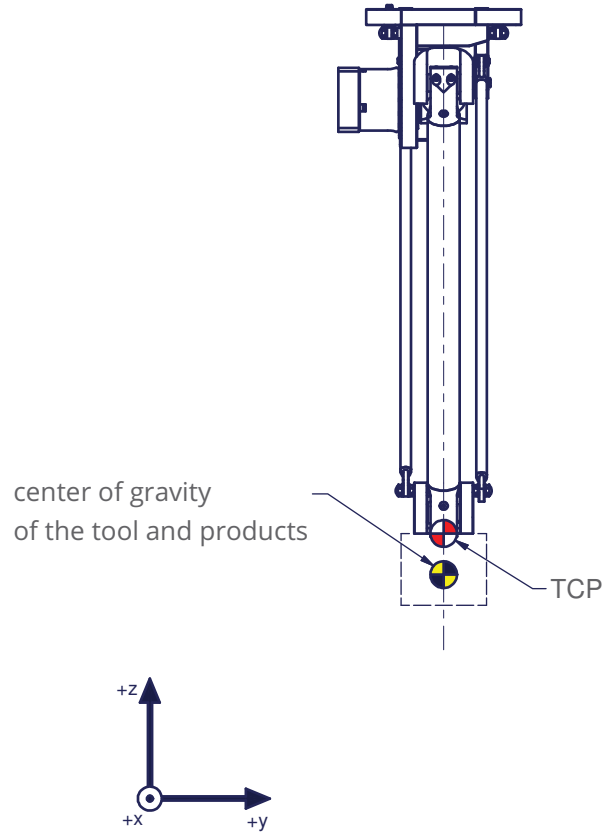


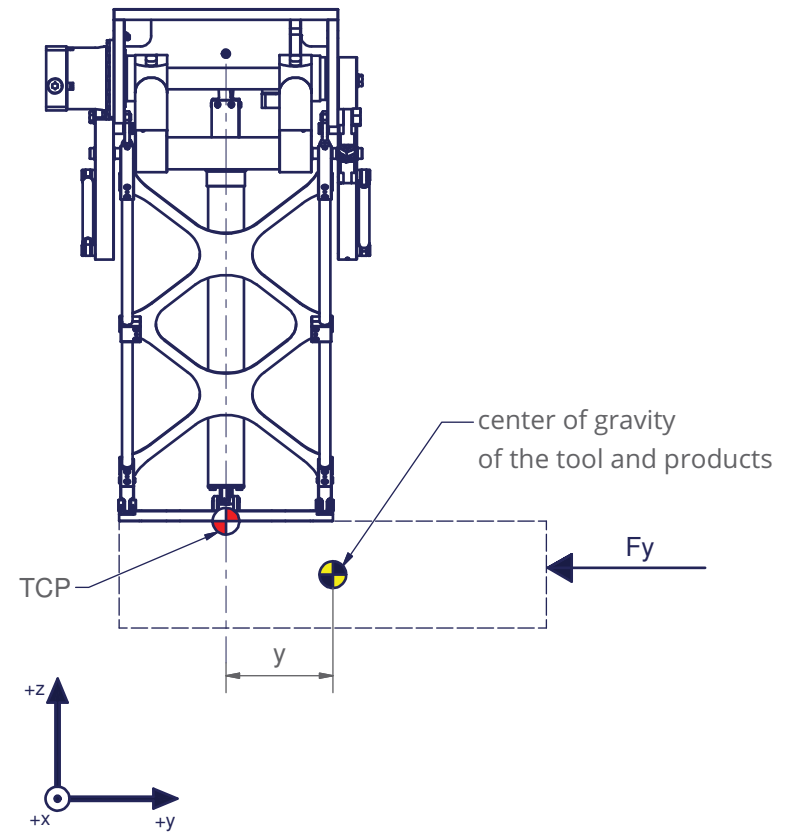
## Series 'RVS' with single upper arms



The 'RVS' series can be used when:

- the center of gravity of the tool and products is in the middle ( $y=0$ )
- and
- no external forces ( $F_y$ ) are applied in  $y$  direction

## Series 'RV' with double upper arms



The 'RV' series should be used when:

- the center of gravity of the tool and products is not in the middle
- and / or
- external forces ( $F_y$ ) are applied in the  $y$  direction